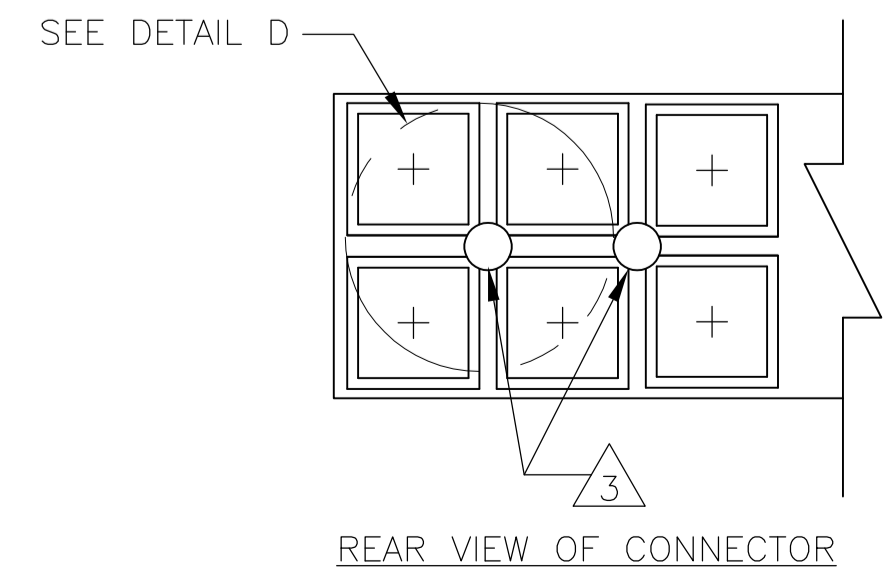
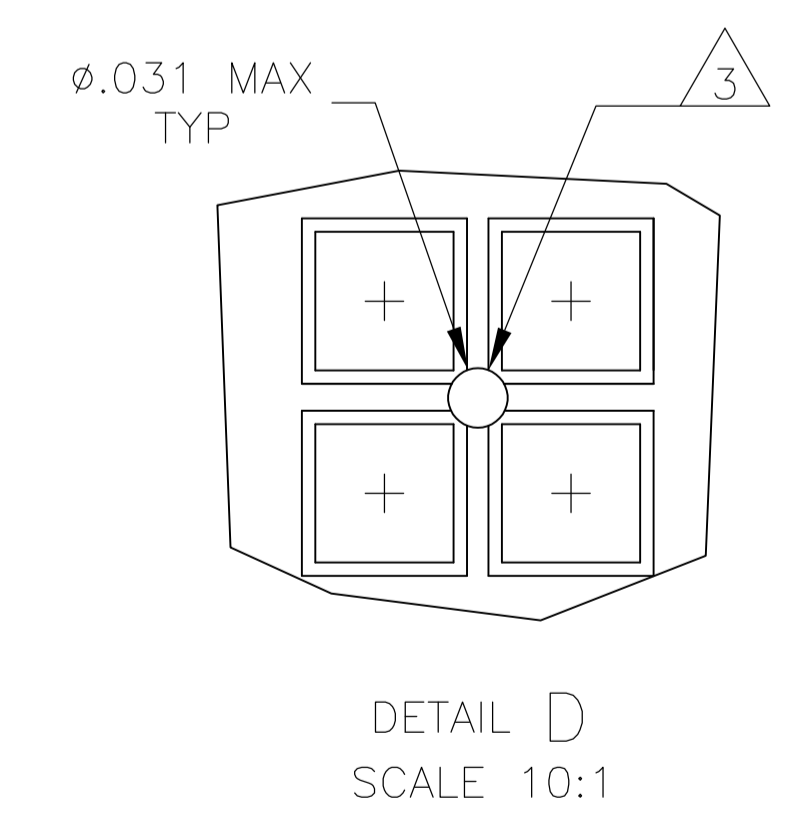
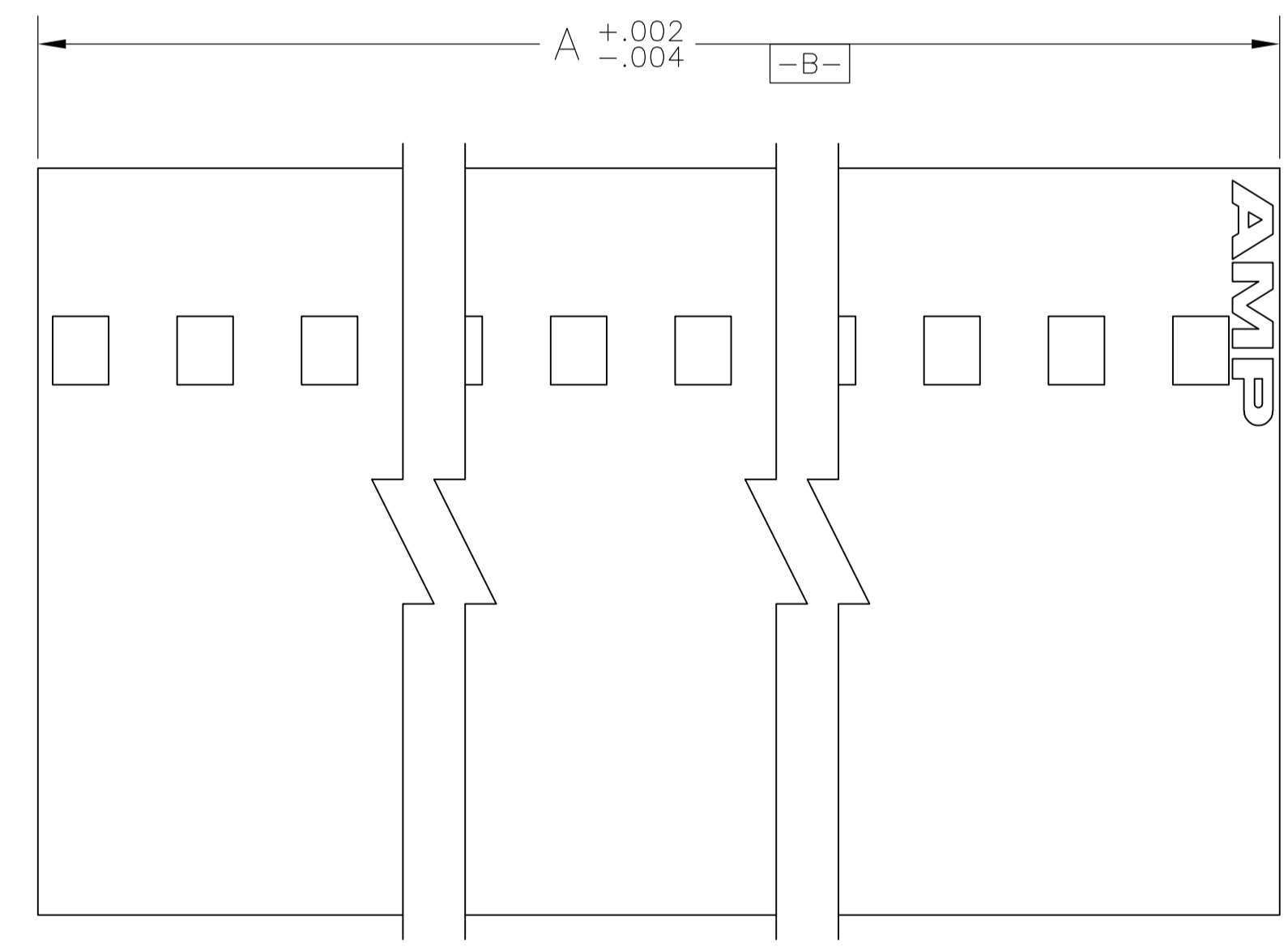
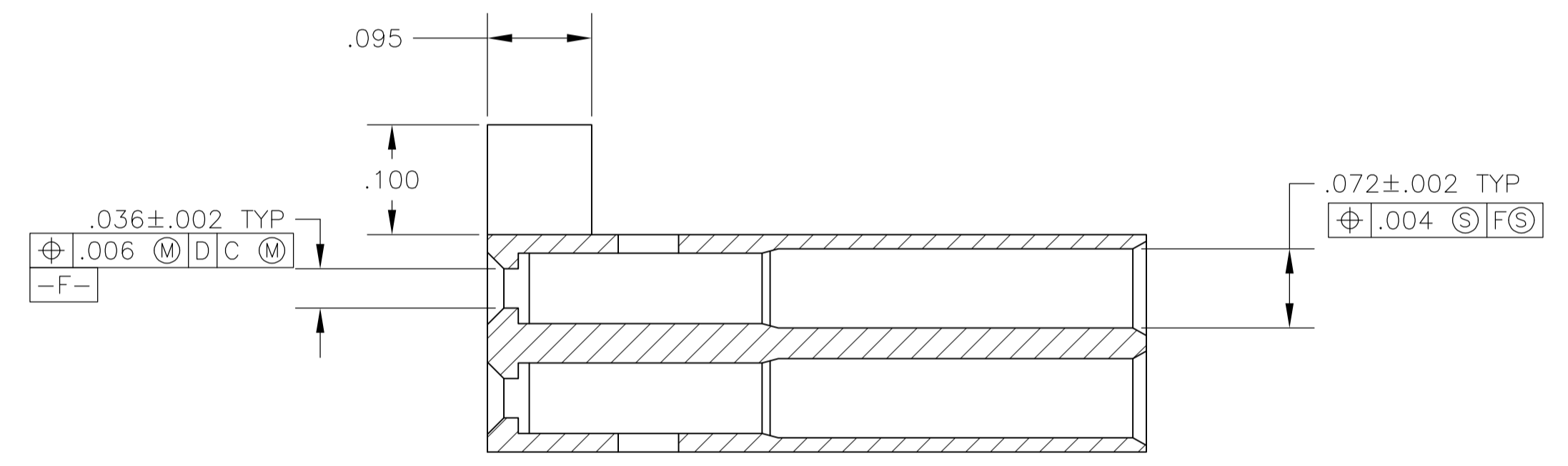
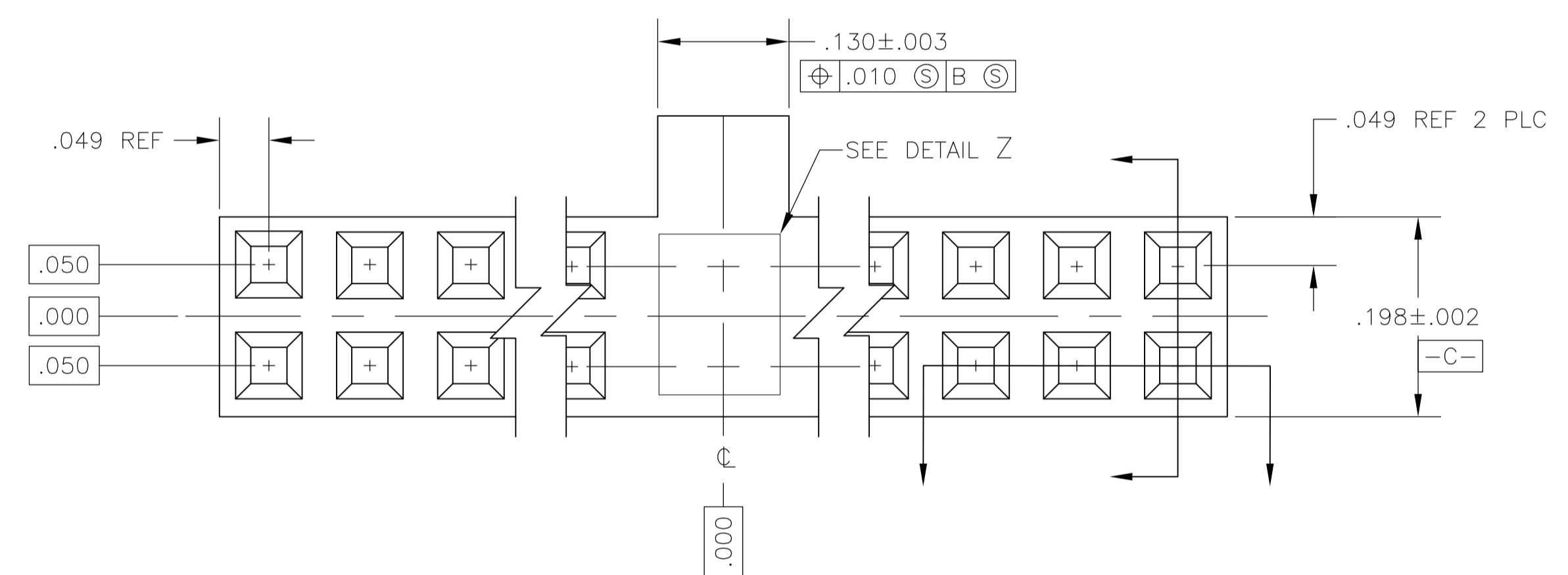
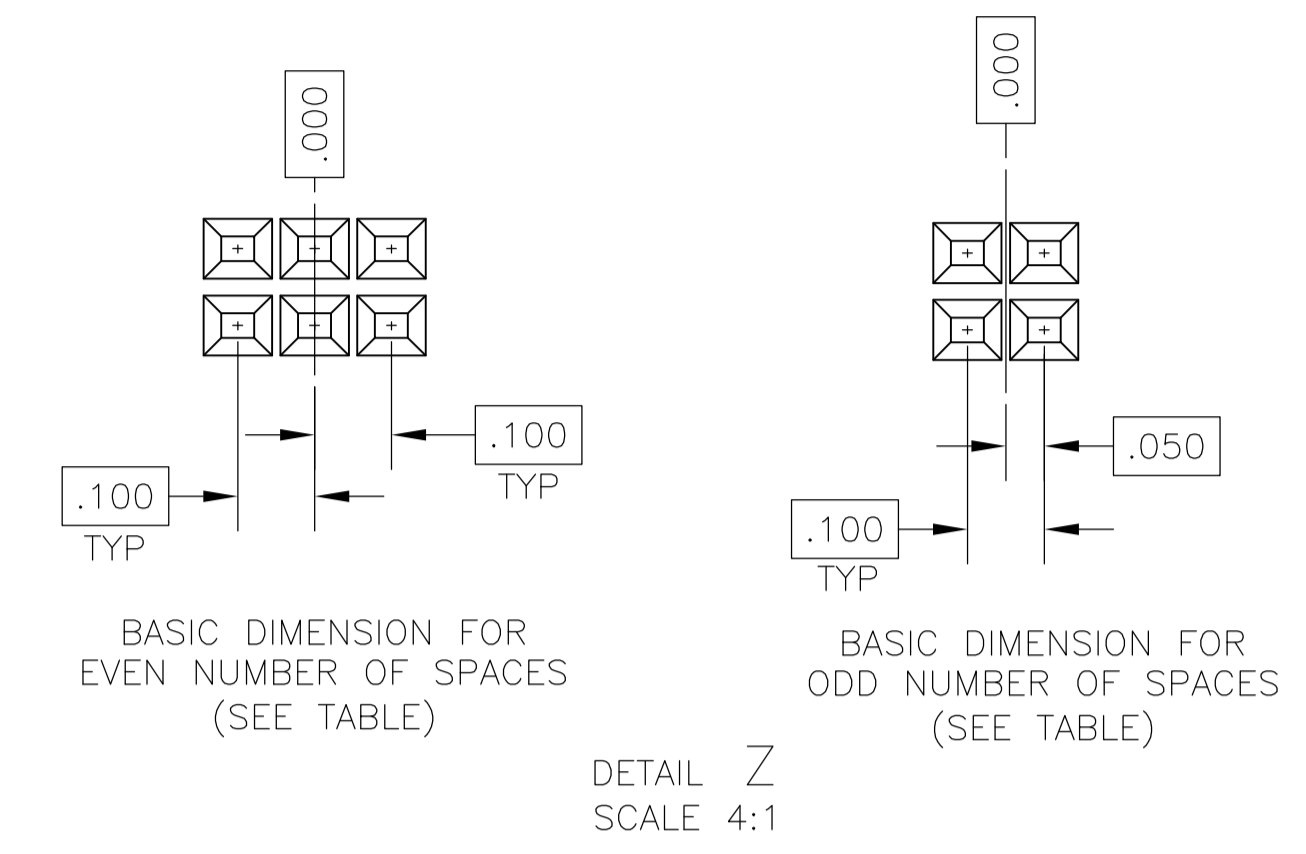


- 1 VOID CORING PERMISSIBLE IN POLARIZATION BAR.
- 2 OBSOLETE PARTS: OBSOLETE CIS STREAMLINING PER D.RENAUD/D.SINISI
- 3 EJECTOR FEATURES AT MOLDER'S DISCRETION (QUANTITY AND LOCATION).



	1.798	17	36	1-104483-4
	2.498	24	50	1-104483-3
2 OBSOLETE	.598	5	12	1-104483-2
	.498	4	10	1-104483-1
2 OBSOLETE	2.598	25	52	1-104483-0
	.698	6	14	104483-9
	3.198	31	64	104483-8
	2.698	26	54	104483-7
	1.898	18	38	104483-6
	1.498	14	30	104483-5
	1.298	12	26	104483-4
	.998	9	20	104483-3
	.898	8	18	104483-2
	.398	3	8	104483-1
A	NO OF SP	NO OF POSN	PART NUMBER	

THIS DRAWING IS A CONTROLLED DOCUMENT.

DIMENSIONS: INCHES	TOLERANCES UNLESS OTHERWISE SPECIFIED:	DWN: SCOTT A. SHUEY 17MAY99	CHEK: H. MOLL 18MAY99	NAME: R. FLICKER 18MAY99
0 PLC ± -	1 PLC ± -	RCPT HSG, DBL ROW, PLZD, .100x.100 CL, SHORT PT, AMPMODU		
2 PLC ± -	3 PLC ± .005	APPLICATION SPEC		
4 PLC ± -	ANGLES ± -	SIZE: A1	CAGE CODE: 00779	DRAWING NO: 104483
MATERIAL: FLAME RETARDANT THERMOPLASTIC COLOR:BLACK	FINISH: -	WEIGHT: -	CUSTOMER DRAWING	SCALE: 8:1 SHEET: 1 OF 1 REV: F